



Model Reference # CRP100

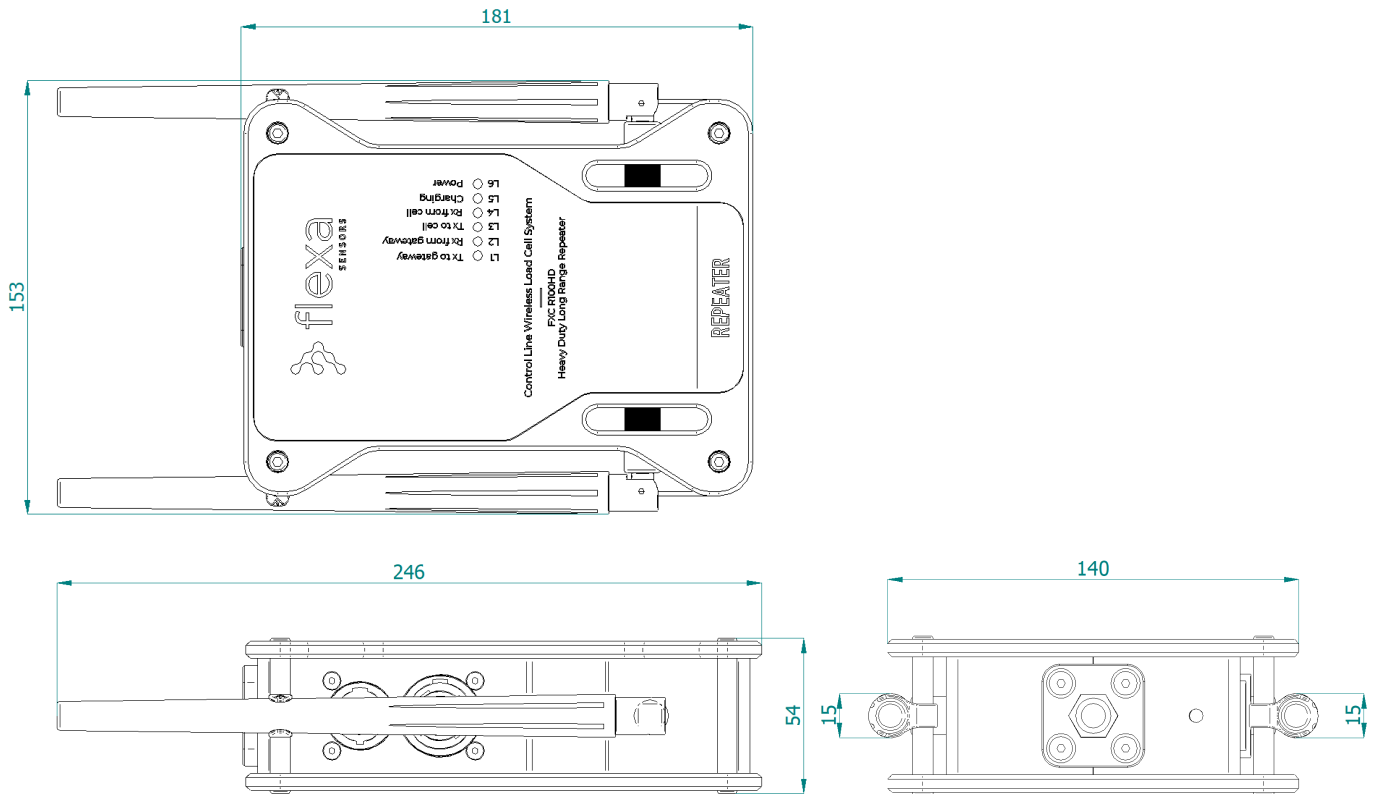
Order code # LT XFW-CRP100-1

REPEATER CRP100 - CONTROL LINE

To cover areas over 600m between cells and Gateway or when there are significant obstacles to overcome, it may be necessary to add one or more Repeaters. If one or more Repeaters are used, all the cells connect to the Repeaters and each Repeater connects to the Gateway (max 5 Repeaters per Gateway). In this setup the Gateway does not connect to the cells directly.

The maximum range of any wireless system depends on the propagation conditions: If the propagation between the cell and the Gateway is in line of sight, the maximum range achievable with our system is about 600 meters. In the graphs on the next page we have simulated the limitations due to various types of obstacles. Data are taken from field tests and theoretical calculations and are intended for guidance. Actual performance will be determined by site conditions.

Dimensions (mm)



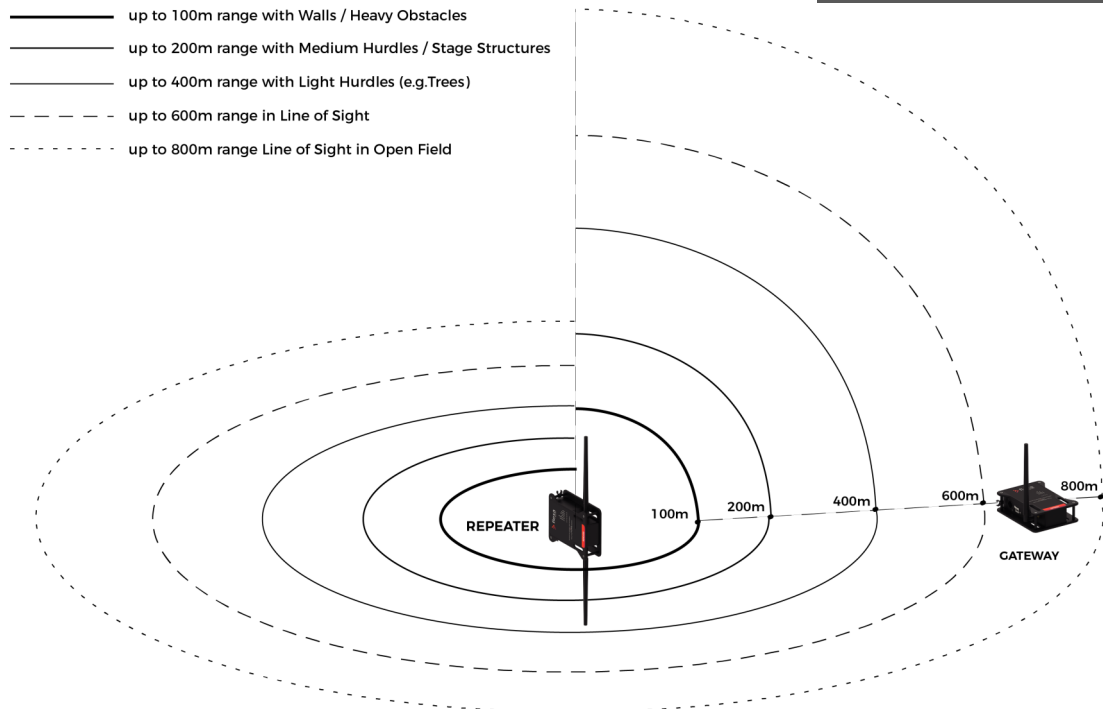
Network INPUT

Rated Voltage:	100-240 V ~ 50-60 Hz (AC)
Rated Current:	0.12A/115V 0.08A/230V
Power Connectors	PowerCON TRUE1 NAC3PX-TOP inlet-outlet connector

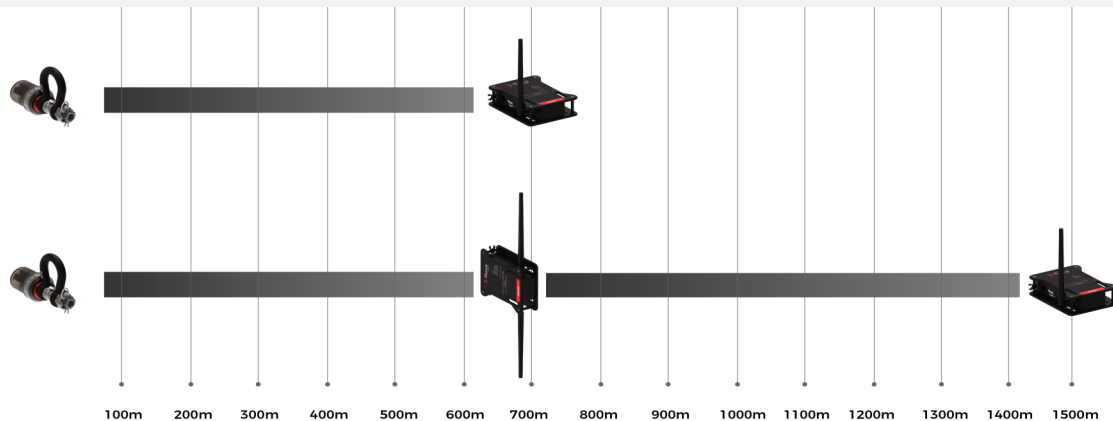
2.6Ah 18650 Backup Battery

Nominal Voltage	3.7V (DC)
Battery (Integrated)	Lithium 1 x 18650
Charging time	Approx. 5Hrs

Max No. Of Repeaters per Gateway	Up to 5 Units
Installation	Plug & Play (no radio set up)
Status display	2 Multifunction RGB LED's + 2 Green for Tx + 2 Blue for Rx
Radio Frequency	Sub-1GHz (868MHz for EMEA version, 915MHz per American version, more details and complete list of Countries on www.flexasensors.com)
Power on / off	With magnetic key (code LT XFW-UMK) or any other magnet
Weight	0,85 kg

Range

In case it is necessary to cover longer distances or there are large obstacles to overcome, it is possible to add Repeaters, which can be located as far as 600 meters from the cells and 700 meters from the Gateway. It is not possible to connect multiple Repeaters in series: each Repeater needs a direct connection to the Gateway



The data shown may vary without notice. Please visit our website for any updates

www.flexasensors.com

Manufactured in Italy by Conset Srl - www.conset.it - Distributed by Area Four Industries Italia Srl - www.areafourindustries.it